

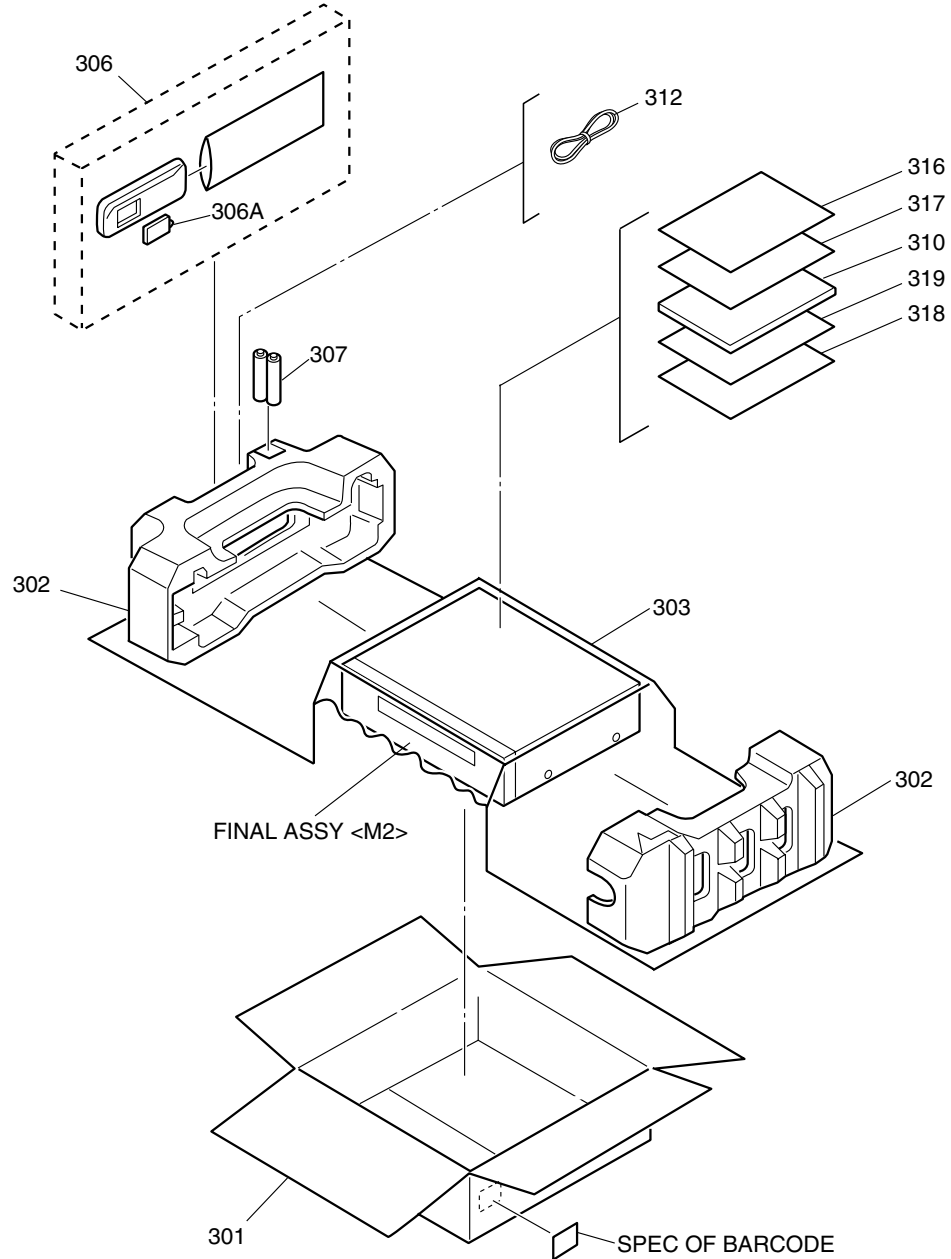
SECTION 5 PARTS LIST

SAFETY PRECAUTION

Parts identified by the \triangle symbol are critical for safety. Replace only with specified part numbers.

5.1 PACKING AND ACCESSORY ASSEMBLY <M1>

The instruction manual to be provided with this product will differ according to the destination.



# \triangle	REF No.	PART No.	PART NAME, DESCRIPTION

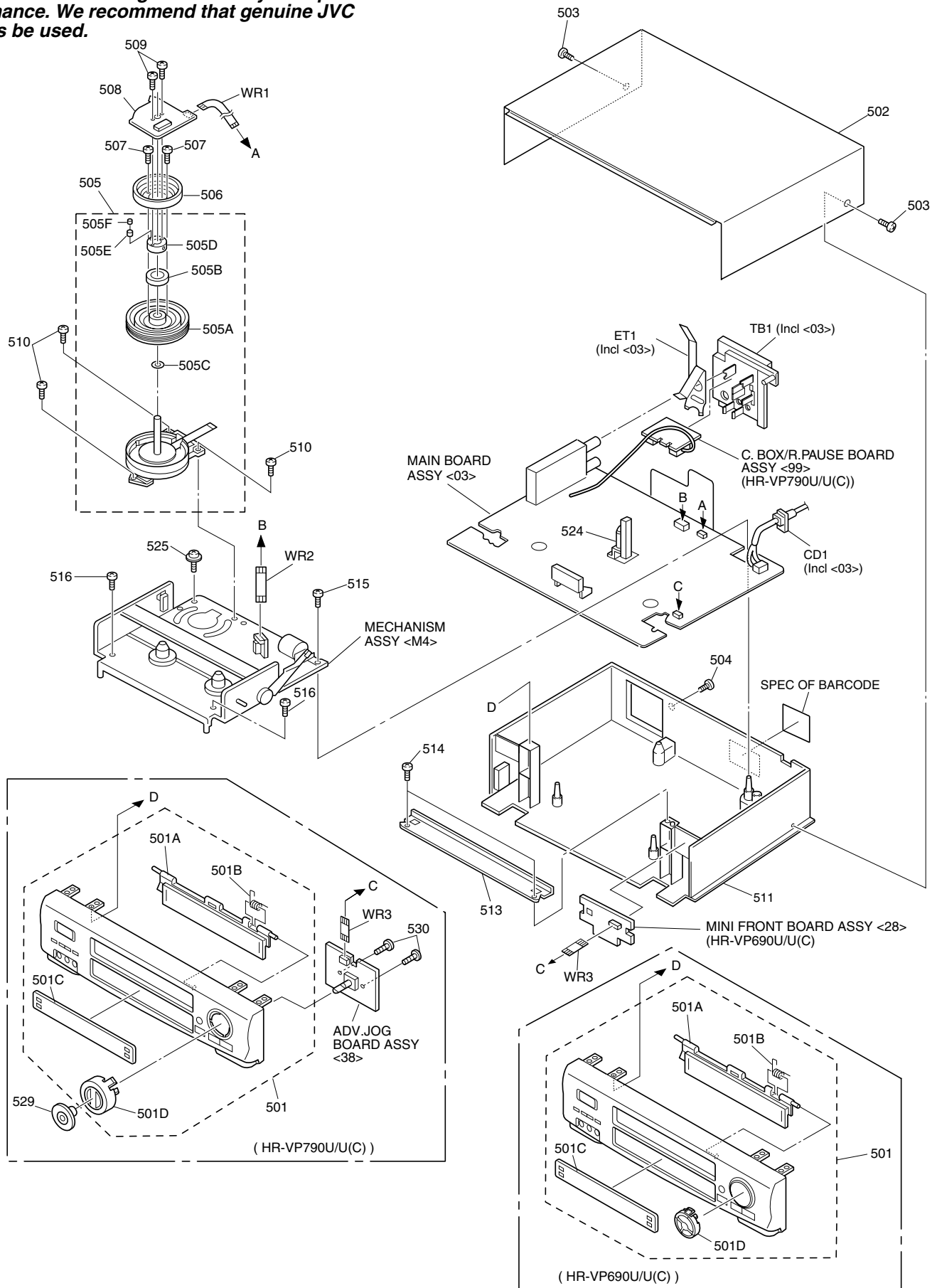
PACKING AND ACCESSORY ASSEMBLY <M1>			
301	LP30881-001A	LP30881-005A	PACKING CASE,VP790U/U(C) PACKING CASE,VP690U/U(C)
302	LP30777-001C	LP30904-002A	CUSHION ASSY SHEET
306	LP20303-015A	LP20878-009A	REMOTE CONTROLLER,VP790U/U(C) REMOTE CONTROLLER,VP690U/U(C)
306A	LP40225-002A	LP40610-001A	COVER(BATTERY),VP790U/U(C) COVER(BATTERY),VP690U/U(C)

# \triangle	REF No.	PART No.	PART NAME, DESCRIPTION
		307	- BATTERY,X2("AA"TYPE)
\triangle	310	LPT0499-001A	INST.BOOK(EN),VP690U/U(C)
\triangle		LPT0499-003A	INST.BOOK(FR),VP690U(C)
\triangle		LPT0501-001B	INST.BOOK(EN),VP790U/U(C)
\triangle		LPT0501-003B	INST.BOOK(FR),VP790U(C)
		312	PEAC0294-04 RF CABLE
		316	BT-52004-1 WARRANTY CARD,VP690U(C)/VP790U(C)
		317	BT-51020-2 REGIST.CARD,VP690U/VP790U
		318	LP30666-002A SHEET(COUPON),VP790U/U(C)
		319	BT-20071B SER.NET CARD,VP690U(C)/VP790U(C)

5.2 FINAL ASSEMBLY <M2>

BEWARE OF BOGUS PARTS

Parts that do not meet specifications may cause trouble in regard to safety and performance. We recommend that genuine JVC parts be used.



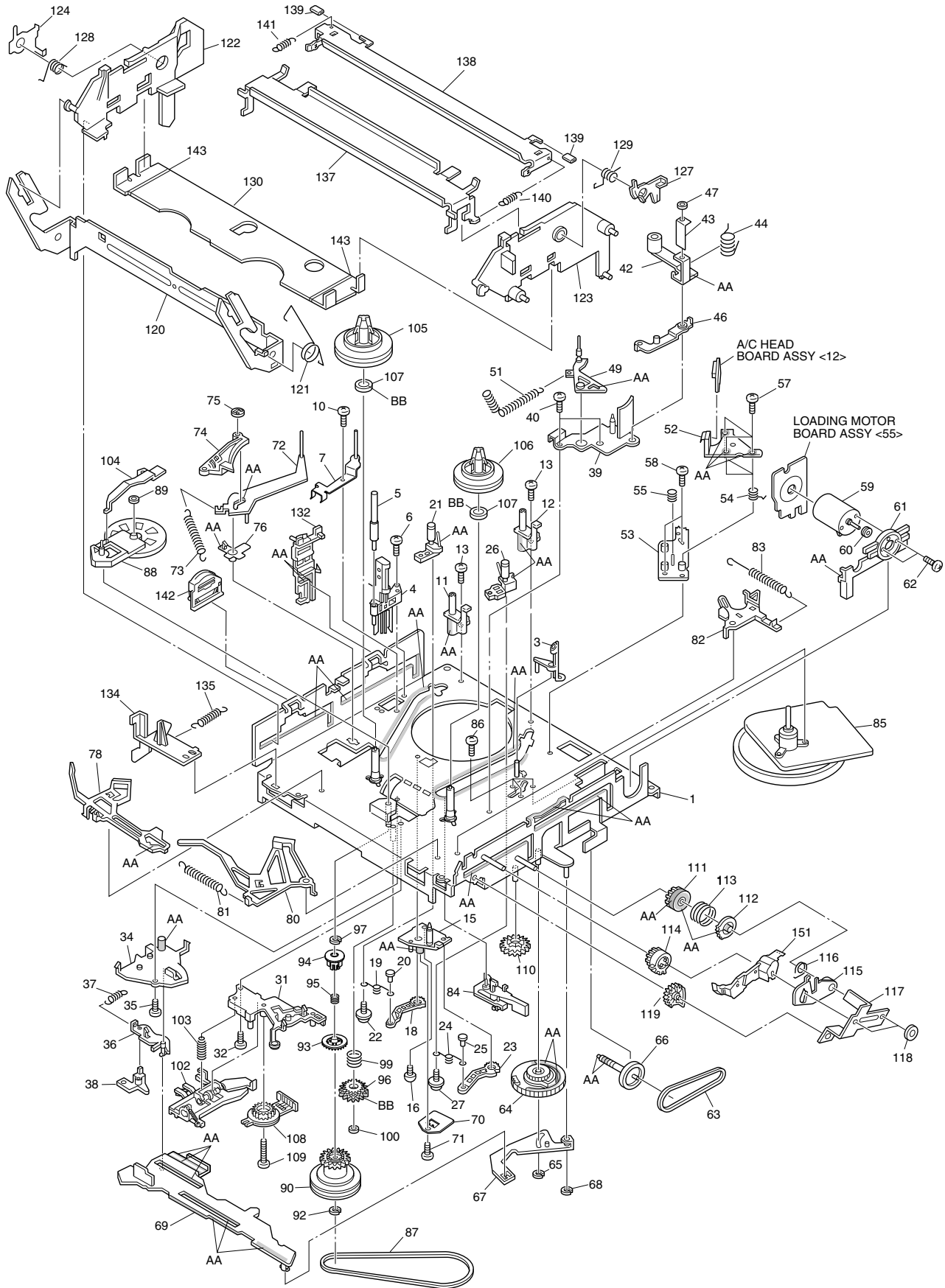
△ REF No. PART No. PART NAME, DESCRIPTION

△ REF No. PART No. PART NAME, DESCRIPTION

FINAL ASSEMBLY <M2>

△	501	LP10289-059A	FRONT PANEL ASSY,VP690U/U(C)
△		LP10289-057C	FRONT PANEL ASSY,VP790U/U(C)
	501A	LP20868-001A	CASSETTE DOOR
	501B	PQ46448	TORSION SPRING
	501C	LP20869-076A	DISPLAY WINDOW,VP790U/U(C)
		LP20869-078A	DISPLAY WINDOW,VP690U/U(C)
	501D	LP30649-002A	ORNAMENT,VP690U/U(C)
		LP21014-001C	ORNAMENT,VP790U/U(C)
△	502	LP10377-002A	TOP COVER
	503	QYTDSF3010M	SCREW,X2 TOP COVER(SIDE)
	504	QYTDSF3010M	SCREW,TERMINAL(REAR)
	505	LP20981-001A	DRUM SUB ASSY
	505A	LP20982-001A	UPPER DRUM ASSY
	505B	PDM4439	CAP
	505C	PDM4444-19-2	WASHER
	505D	LP40572-001A	COLLAR ASSY
	505E	LP40323-001A	CONTACT
	505F	LP30004-014A	COMPRESSION SPRING
	506	PDZ0179-1-4	ROTOR ASSY
	507	QYSPSP3006Z	SCREW,X2
△	508	QAR0169-001	STATOR ASSY
	509	QYSPSPH2606Z	SCREW,X2
	510	QYTDST2610Z	SCREW,X3 DRUM
△	511	LP10376-002B	BOTTOM CHASSIS
	513	LP30818-001A	BRACKET CHASSIS
	514	QYTDSF3010Z	SCREW,X2
	515	QYTDSF4012Z	SCREW,MECHA
	516	QYTDSF3010Z	SCREW,X2 MECHA
	524	LP40253-001B	STOPPER
	525	PQ40413	SPECIAL SCREW,MECHA
	529	LP30954-001A	KNOB ASSY,VP790U/U(C)
	530	QYTDSF2608Z	SCREW,X2,VP790U/U(C)
	WR1	QUQ212-0519CG	FFC WIRE,DRUM CN3002
	WR2	WJT0005-002A	E-CARD WIRE,A/C HEAD CN2001
	WR3	QUQ112-0914CG	FFC WIRE,FRONT CN7001

5.3 MECHANISM ASSEMBLY <M4>



Classification	Part No.	Symbol in drawing
Grease	KYODO-SH-P	AA
Oil	COSMO-HV56	BB

NOTE:The section marked in **AA** and **BB** indicate lubrication and greasing areas.

#	△ REF No.	PART No.	PART NAME, DESCRIPTION	#	△ REF No.	PART No.	PART NAME, DESCRIPTION

MECHANISM ASSEMBLY <M4>							
1		LP20821-006A	MAIN DECK ASSY	74		LP40109-003D	TENSION BRAKE ASSY
3		LP30492-002B	GIDE POLE GUARD	75		PQ46302-1-3	ADJUST PIN
4		NAH0001-001	FULL ERASE HEAD	76		LP30232-002A	TENSION ARM BEARING
5		LP40098-001B	GUIDE POLE(SUPPLY)	78		LP40532-008B	MAIN BRAKE ASSY (SUPPLY)
6		QYTDST2608Z	SCREW,FE HEAD	80		LP40111-011A	MAIN BRAKE ASSY (TAKE UP)
7		LP40637-002A	TENSION STUD BASE ASSY	81		LP30003-026A	TENSION SPRING
10		QYTDST2606Z	SCREW	82		LP40112-001F	SUB BRAKE ASSY(TAKE UP)
11		LP30409-002C	UV CATCHER 2	83		LP40357-002A	TENSION SPRING
12		LP30409-002C	UV CATCHER 2	84		LP40461-001A	CAPSTAN BRAKE ASSY
13		QYTPST2606Z	SCREW,X2	85		QAR0087-005	CAPSTAN MOTOR
15		LP30223-003C	LOADING ARM GEAR SHAFT	86		QYTDST2606M	SCREW,X3
16		QYTDST2606Z	SCREW	87		LP30005-007A	BELT,CAPSTAN MOTOR
18		LP30224-001B	LOADING ARM GEAR(SUPPLY)	88		LP40114-012A	IDLER ARM ASSY
19		LP40099-001A	TORSION ARM	89		LP40599-001A	WASHER
20		LP40100-001A	PIN	90		LP40593-001A	CLUTCH UNIT 3
21		LP40101-006A	POLE BASE ASSY(SUPPLY)	92		PQM30017-47	SLIT WASHER
22		QYSPSTG2606Z	SCREW	93		LP30696-002A	CLUTCH GEAR 4
23		LP40103-002B	LOADING ARM GEAR(TAKE UP)	94		LP30697-003A	COUPLING GEAR
24		LP40099-001A	TORSION ARM	95		LP40554-002A	COMPRESION SPRING
25		LP40100-001A	PIN	96		LP40442-001A	DIRECT GEAR
26		LP40104-006A	POLE BASE ASSY(TAKE UP)	97		LP30017-019A	SPACER
27		QYSPSTG2606Z	SCREW	99		LP40483-002A	COMPRESSION SPRING
31		LP20233-004B	ROTARY ENCODER GUIDE	100		LP30016-001A	SLIT WASHER
32		QYTPST2606Z	SCREW	102		LP40484-001J	CHANGE LEVER ASSY
34		LP30226-004E	CONTROL PLATE GUIDE	103		LP40512-002B	COMPRESSION SPRING
35		QYTPST2605Z	SCREW	104		LP30236-002C	IDLER LEVER
36		LP30249-003B	TAKE UP LEVER	105		LP20237-001B	REEL DISK (SUPPLY)
37		LP30003-006A	TENSION SPRING	106		LP20238-001B	REEL DISK (TAKE UP)
38		LP40119-002A	TAKE UP HEAD	107		LP30017-015A	SPACER,X2
39		LP20234-004B	LID GUIDE	108		QSW0554-003	ROTARY ENCODER
40		QYTDST2606Z	SCREW,X2	109		QYTPST2620Z	SCREW
42		LP40105-003A	PINCH ROLLER ARM ASSY	110		LP30237-002B	CASSETTE GEAR
43		LP40753-001A	P.R.SHEET 3	111		LP30239-002G	LIMIT GEAR(1)
44		LP40148-002A	TORSION SPRING	112		LP30240-002G	LIMIT GEAR(2)
46		LP40149-001C	PRESS LEVER ASSY	113		LP40136-001E	TORSION SPRING
49		LP40106-007A	GUIDE ARM ASSY	114		LP30242-002A	RELAY GEAR
51		LP40134-002A	TENSION SPRING	115		LP30339-002E	OPENER GUIDE
52		QAH0058-001	AC HEAD	116		LP40545-001A	TORSION SPRING
53		LP30228-001A	HEAD BASE	117		LP40214-001B	C.H.BRACKET
54		LP30004-013A	COMPRESSION SPRING,X3	118		PQM30017-47	SLIT WASHER,X2
55		LP40236-001A	COMPRESSION SPRING	119		LP30243-001D	DRIVE GEAR
57		LP40213-002B	SPECIAL SCREW,X3	120		LP20240-001G	DRIVE ARM
58		QYTDST2608Z	SCREW,X2	121		LP40137-001A	TORSION SPRING
59		QAR0023-001	LOADING MOTOR	122		LP10081-002L	SIDE HOLDER(L)
60		PQ43546-1-2	MOTOR PULLEY	123		LP10082-002M	SIDE HOLDER(R)
61		LP30230-001B	MOTOR GUIDE	124		LP30255-006A	LOCK LEVER(L)
62		QYTPSP3003Z	SCREW,X2	127		LP30256-001H	LOCK LEVER(R)
63		LP30005-003A	BELT,LOADING MOTOR	128		LP40168-003A	TORSION SPRING(L)
64		LP20791-002D	CONTROL CAM	129		LP40218-001B	TORSION SPRING(R)
65		PQM30017-24	SLIT WASHER	130		LP30257-001G	CASSETTE HOLDER
66		LP40120-001A	WORM GEAR	132		LP30244-002G	GUIDE RAIL
67		LP40107-002A	LINK LEVER ASSY	134		LP30245-002F	REC SAFETY LEVER
68		PQM30017-24	SLIT WASHER	135		LP30003-004A	TENSION SPRING
69		LP10201-003E	CONTROL PLATE	137		LP20578-001C	TOP GUIDE
70		LP40379-001B	CONTROL BRACKET(1)	138		LP30500-001C	HOLD PLATE
71		QYTDST2608M	SCREW	139		LP40450-003A	PAD,X2
72		LP40108-002A	TENSION ARM ASSY	140		LP30003-025B	TENSION SPRING
73		LP30003-010A	TENSION SPRING	141		LP30003-024A	TENSION SPRING
				142		LP40481-003A	ROLLER CAM ASSY
				143		LP30019-014A	PAD,X2
				151		LP20324-003B	DOOR OPENER

5.4 ELECTRICAL PARTS LIST

#	△ REF No.	PART No.	PART NAME, DESCRIPTION

MAIN BOARD ASSEMBLY <03>			
	PW1	LPA10130-03C1	MAIN BOARD ASSY,VP790U/U(C)
		LPA10130-04C1	MAIN BOARD ASSY,VP690U/U(C)
	IC1	JCP8021-NVD	IC
		or JCP8021-NVD-2	IC
△	IC2201	AN3663FBP	IC
	IC3001	MN101D02GWA	IC
		or MN101DP02JAFWA	IC
	IC3002	BA6956AN	IC
	IC3004	S-24C04BFJ-X	IC
		or BR24C04F-W-X	IC
		or X24C04S	IC
		or 24LC04B/SN-X	IC
		or AT24C04N-10SC-X	IC
	IC5301	L5431	IC
		or MM1431AT	IC
	IC7002	GP1U291Q	IR DETECT UNIT
		or PIC-28143LJ	IR DETECT UNIT
		or PNA4652M00YC	IR DETECT UNIT
	Q22	2SC4081/QRS/-X	TRANSISTOR
		or 2PC4081/R/-X	TRANSISTOR
	Q32	DTC144WU	TRANSISTOR
		or PDTC144WU	TRANSISTOR
		or RN1309	TRANSISTOR
		or UN521E	TRANSISTOR
	Q38	2SC4081/QRS/-X	TRANSISTOR
		or 2SD1819A/QRS/-X	TRANSISTOR
		or 2PC4081/R/-X	TRANSISTOR
	Q901	2SA1576A/QRS/-X	TRANSISTOR
		or 2PA1576/R/-X	TRANSISTOR
	Q2001	2SC4081/QRS/-X	TRANSISTOR
		or 2SD1819A/QRS/-X	TRANSISTOR
		or 2PC4081/R/-X	TRANSISTOR
	Q2002	2SC4081/QRS/-X	TRANSISTOR
		or 2PC4081/R/-X	TRANSISTOR
		or 2SD1819A/QRS/-X	TRANSISTOR
	Q2003	DTA144WU	TRANSISTOR
		or PDTA144WU	TRANSISTOR
		or RN2309	TRANSISTOR
		or UN511E	TRANSISTOR
	Q2051	2SC4081/QRS/-X	TRANSISTOR
		or 2SD1819A/QRS/-X	TRANSISTOR
		or 2PC4081/R/-X	TRANSISTOR
	Q2052	2SA1576A/QR/-X	TRANSISTOR
		or 2PA1576/R/-X	TRANSISTOR
		or 2SB1218A/QR/-X	TRANSISTOR
	Q2053	DTC144WU	TRANSISTOR
		or PDTC144WU	TRANSISTOR
		or RN1309	TRANSISTOR
		or UN521E	TRANSISTOR
	Q2054	2SA1576A/QR/-X	TRANSISTOR
		or 2SB1218A/QR/-X	TRANSISTOR
		or 2PA1576/R/-X	TRANSISTOR
	Q2055	DTC144WU	TRANSISTOR
		or PDTC144WU	TRANSISTOR
		or RN1309	TRANSISTOR
		or UN521E	TRANSISTOR
	Q2201	DTA144WU	TRANSISTOR

#	△ REF No.	PART No.	PART NAME, DESCRIPTION
		or PDTA144WU	TRANSISTOR
		or RN2309	TRANSISTOR
		or UN511E	TRANSISTOR
	Q2202	DTC144WU	TRANSISTOR
		or PDTC144WU	TRANSISTOR
		or RN1309	TRANSISTOR
		or UN521E	TRANSISTOR
	Q2203	2SC4081/QRS/-X	TRANSISTOR
		or 2PC4081/R/-X	TRANSISTOR
		or 2SD1819A/QRS/-X	TRANSISTOR
	Q2204	2SC4081/QRS/-X	TRANSISTOR
		or 2SD1819A/QRS/-X	TRANSISTOR
		or 2PC4081/R/-X	TRANSISTOR
	Q2251	DTA144WU	TRANSISTOR
		or PDTA144WU	TRANSISTOR
		or RN2309	TRANSISTOR
		or UN511E	TRANSISTOR
	Q2252	DTC114EU	TRANSISTOR
		or PDTC114EU	TRANSISTOR
		or RN1302	TRANSISTOR
		or UN5211	TRANSISTOR
	Q3002	PTZ-NV16A	PHOTO TRANSISTOR
	Q3005	UN521K	TRANSISTOR,VP790U/U(C)
		or DTC114WU	TRANSISTOR,VP790U/U(C)
	Q3006	2SC4081/QRS/-X	TRANSISTOR
	Q3007	2SC4081/QRS/-X	TRANSISTOR
	Q4001	UN5211	TRANSISTOR
		or RN1302	TRANSISTOR
		or DTC114EU	TRANSISTOR
		or PDTC114EU	TRANSISTOR
	Q4002	2SD1819A/QRS/-X	TRANSISTOR
		or 2PC4081/R/-X	TRANSISTOR
		or 2SC4081/QRS/-X	TRANSISTOR
	Q5101	2SK2043-CB14	FE TRANSISTOR
		or 2SK2043	FE TRANSISTOR
		or 2SK2325	POWER MOS FET
		or 2SK2325-LT	POWER MOS FET
	Q5102	2SD2144S/UV/-T	TRANSISTOR
	Q5303	2SD1819A/RS/-X	TRANSISTOR
		or 2SC4081/RS/-X	TRANSISTOR
		or 2PC4081/R/-X	TRANSISTOR
	Q5304	2SD2144S/UV/-T	TRANSISTOR
	Q5305	DTA114EU	TRANSISTOR
		or PDTA114EU	TRANSISTOR
		or RN2302	TRANSISTOR
		or UN5111	TRANSISTOR
	Q5306	DTC114EU	TRANSISTOR
		or PDTC114EU	TRANSISTOR
		or RN1302	TRANSISTOR
		or UN5211	TRANSISTOR
	Q5321	2SC3616/ML/-T	TRANSISTOR
	Q6030	2SB1218A/QR/-X	TRANSISTOR
		or 2SA1576A/QR/-X	TRANSISTOR
		or 2PA1576/R/-X	TRANSISTOR
	Q7001	DTA143TU	TRANSISTOR
	Q7002	DTA143TU	TRANSISTOR
	Q7003	DTA143TU	TRANSISTOR
	Q7004	DTA143TU	TRANSISTOR
	Q7005	DTA143TU	TRANSISTOR
	Q7006	DTC143TU	TRANSISTOR
	Q7007	DTC143TU	TRANSISTOR

#	△	REF No.	PART No.	PART NAME, DESCRIPTION	#	△	REF No.	PART No.	PART NAME, DESCRIPTION
Q7008			DTC143TU	TRANSISTOR	R3			NRSA63J-822X	MG RESISTOR 8.2kΩ,1/16W
Q7009			DTC143TU	TRANSISTOR	R6			NRSA63J-273X	MG RESISTOR 27kΩ,1/16W
Q7010			DTC143TU	TRANSISTOR	R7			NRSA63J-821X	MG RESISTOR 820Ω,1/16W
Q7011			DTC143TU	TRANSISTOR	R8			NRSA63J-0R0X	MG RESISTOR 0Ω,1/16W
Q7012			DTC143TU	TRANSISTOR	R9			NRSA63J-0R0X	MG RESISTOR 0Ω,1/16W
Q7013			DTC144WU	TRANSISTOR,VP790U/U(C)	R12			QUY153-050Y	IM BUS WIRE
Q7201			2SA720/RS-T	TRANSISTOR,VP790U/U(C)	R37			NRSA63J-0R0X	MG RESISTOR 0Ω,1/16W
D3001			LNB2301L01VI	LE DIODE	R49			NRSA63J-561X	MG RESISTOR 560Ω,1/16W
D3002			1SS133	DIODE	R66			NRSA63J-104X	MG RESISTOR 100kΩ,1/16W
			or 1SS270A	DIODE	R77			NRSA63J-103X	MG RESISTOR 10kΩ,1/16W
D3005			11ES2	DIODE	R90			NRSA63J-471X	MG RESISTOR 470Ω,1/16W
			or 1A3G	DIODE	R92			NRSA63J-152X	MG RESISTOR 1.5kΩ,1/16W
D3007			1SS355	DIODE,VP790U/U(C)	R93			NRSA63J-102X	MG RESISTOR 1kΩ,1/16W
D3016			MTZJ3.9B	ZENER DIODE	R104			NRSA63J-682X	MG RESISTOR 6.8kΩ,1/16W
			or RD3.9ES/B2/-T2	ZENER DIODE	R118			NRSA63J-0R0X	MG RESISTOR 0Ω,1/16W
D5001			S1WB/A/60-4102	BRIDGE DIODE	R201			NRSA02J-332X	MG RESISTOR 3.3kΩ,1/10W
			or S1WB/A/60-X	BRIDGE DIODE	R202			NRSA02J-222X	MG RESISTOR 2.2kΩ,1/10W
			or S1WB(A)60F4072X	BRIDGE DIODE	R901			NRSA02J-750X	MG RESISTOR 75Ω,1/10W
D5101			AU01	FR DIODE	R904			QRE123J-331X	RESISTOR 330Ω,1/2W
			or ERA18-04-T2	FR DIODE	R905			NRSA02J-101X	MG RESISTOR 100Ω,1/10W
			or 1SR153-400-T2	FR DIODE	R911			NRSA02J-750X	MG RESISTOR,VP790U/U(C) 75Ω,1/10W
			or 10ELS4	FR DIODE	R912			NRSA02J-750X	MG RESISTOR 75Ω,1/10W
D5102			AU01	FR DIODE	R2003			NRSA02J-101X	MG RESISTOR 100Ω,1/10W
			or ERA18-04-T2	FR DIODE	R2007			NRSA02J-123X	MG RESISTOR 12kΩ,1/10W
			or 1SR153-400-T2	FR DIODE	R2010			NRSA02J-123X	MG RESISTOR 12kΩ,1/10W
			or 10ELS4	FR DIODE	R2013			NRSA63J-682X	MG RESISTOR 6.8kΩ,1/16W
D5103			1SS133	DIODE	R2014			NRSA63J-224X	MG RESISTOR 220kΩ,1/16W
			or 1SS270A	DIODE	R2015			NRSA63J-181X	MG RESISTOR 180Ω,1/16W
D5105			1SS133	DIODE	R2016			NRSA63J-473X	MG RESISTOR 47kΩ,1/16W
			or 1SS270A	DIODE	R2017			NRSA63J-123X	MG RESISTOR 12kΩ,1/16W
D5203			AU01Z	FR DIODE	R2018			NRSA63J-472X	MG RESISTOR 4.7kΩ,1/16W
			or ERA18-02-T2	FR DIODE	R2019			NRSA63J-472X	MG RESISTOR 4.7kΩ,1/16W
			or PG104RS	FR DIODE	R2024			NRSA63J-332X	MG RESISTOR 3.3kΩ,1/16W
			or 10ELS2	FR DIODE	R2053			NRSA63J-272X	MG RESISTOR 2.7kΩ,1/16W
			or 1SR153-400-T2	FR DIODE	R2054			NRSA02J-123X	MG RESISTOR 12kΩ,1/10W
D5204			AU01Z	FR DIODE	R2055			NRSA02J-3R3X	MG RESISTOR 3.3Ω,1/10W
			or PG104RS	FR DIODE	R2056			NRSA02J-820X	MG RESISTOR 82Ω,1/10W
			or 10ELS2	FR DIODE	R2057			NRSA02J-473X	MG RESISTOR 47kΩ,1/10W
			or ERA18-02-T2	FR DIODE	R2058			NRSA02J-183X	MG RESISTOR 18kΩ,1/10W
			or 1SR153-400-T2	FR DIODE	R2059			NRSA02J-473X	MG RESISTOR 47kΩ,1/10W
D5207			AK04	DIODE	R2060			NRSA02J-183X	MG RESISTOR 18kΩ,1/10W
			or 1S4	SB DIODE	R2201			NRSA02J-473X	MG RESISTOR 47kΩ,1/10W
			or 11EQS04	SB DIODE	R2202			NRSA02J-682X	MG RESISTOR 6.8kΩ,1/10W
D5210			AU01Z	FR DIODE	R2203			NRSA02J-473X	MG RESISTOR,VP790U/U(C) 47kΩ,1/10W
			or ERA18-02-T2	FR DIODE	R2204			NRSA02J-682X	MG RESISTOR,VP790U/U(C) 6.8kΩ,1/10W
			or 10ELS2	FR DIODE	R2205			NRSA02J-473X	MG RESISTOR 47kΩ,1/10W
			or 1SR153-400-T2	FR DIODE	R2206			NRSA02J-682X	MG RESISTOR 6.8kΩ,1/10W
			or PG104RS	FR DIODE	R2207			NRSA02J-473X	MG RESISTOR,VP790U/U(C) 47kΩ,1/10W
D5301			MTZJ15C	ZENER DIODE	R2208			NRSA02J-682X	MG RESISTOR,VP790U/U(C) 6.8kΩ,1/10W
			or RD15ES/B3/-T2	ZENER DIODE	R2209			NRSA02J-101X	MG RESISTOR 100Ω,1/10W
D5303			RD5.1JS/B2/-T2	ZENER DIODE	R2210			NRSA02J-472X	MG RESISTOR 4.7kΩ,1/10W
			or MA4051N/M/-T2	ZENER DIODE	R2211			NRSA02J-332X	MG RESISTOR 3.3kΩ,1/10W
D5304			1SS133	DIODE	R2212			NRSA02J-332X	MG RESISTOR 3.3kΩ,1/10W
			or 1SS270A	DIODE	R2213			NRSA02J-472X	MG RESISTOR 4.7kΩ,1/10W
D5307			QUY160-100Y	IM BUS WIRE	R2214			NRSA02J-101X	MG RESISTOR 100Ω,1/10W
D5316			QUY160-100Y	IM BUS WIRE	R2215			QRE141J-221Y	RESISTOR 220Ω,1/4W
D6002			HZ30-2L-T2	ZENER DIODE	R2216			NRSA02J-102X	MG RESISTOR 1kΩ,1/10W
			or HZ30-2LTD	Z DIODE (M)	R2217			NRSA02J-472X	MG RESISTOR 4.7kΩ,1/10W
D7009			SLR-325VC-T	LE DIODE,VP790U/U(C)	R2218			NRSA02J-392X	MG RESISTOR 3.9kΩ,1/10W
R1			NRSA63J-682X	MG RESISTOR	R2219			NRSA02J-102X	MG RESISTOR 1kΩ,1/10W
R2			NRSA63J-152X	MG RESISTOR	R2220			NRSA02J-102X	MG RESISTOR 1kΩ,1/10W
				6.8kΩ,1/16W					
				1.5kΩ,1/16W					

#	△ REF No.	PART No.	PART NAME, DESCRIPTION	#	△ REF No.	PART No.	PART NAME, DESCRIPTION
R2221		QRE141J-102Y	RESISTOR 1kΩ,1/4W	R4019		NRSA02J-102X	MG RESISTOR 1kΩ,1/10W
R2222		NRSA02J-0R0X	MG RESISTOR 0Ω,1/10W	R4020		NRSA02J-102X	MG RESISTOR 1kΩ,1/10W
R2225		NRSA02J-0R0X	MG RESISTOR 0Ω,1/10W	R4021		NRSA02J-103X	MG RESISTOR 10kΩ,1/10W
R2251		NRSA63J-222X	MG RESISTOR 2.2kΩ,1/16W	R4024		QRE141J-103Y	RESISTOR 10kΩ,1/4W
R2252		NRSA63J-152X	MG RESISTOR 1.5kΩ,1/16W	△ R5001		QRZ9046-475Z	RESISTOR 4.7MΩ,1/2W
R2253		QRE141J-101Y	RESISTOR 100Ω,1/4W	R5101		QRE141J-224Y	RESISTOR 220kΩ,1/4W
R2254		NRSA63J-102X	MG RESISTOR 1kΩ,1/16W	R5102		QRE141J-224Y	RESISTOR 220kΩ,1/4W
R2255		NRSA63J-273X	MG RESISTOR 27kΩ,1/16W	R5103		QRE141J-683Y	RESISTOR 68kΩ,1/4W
R3001		NRSA02J-0R0X	MG RESISTOR 0Ω,1/10W	R5104		QRG02GJ-683	OMF RESISTOR 68kΩ,2W
R3017		NRSA02J-0R0X	MG RESISTOR 0Ω,1/10W	R5106		QRT01DJ-R39X	MF RESISTOR 0.39Ω,1W
R3018		NRSA02J-0R0X	MG RESISTOR 0Ω,1/10W	R5107		QRE121J-331Y	RESISTOR 330Ω,1/2W
R3021		QUY160-100Y	IM BUS WIRE	R5108		NRSA02J-122X	MG RESISTOR 1.2kΩ,1/10W
R3027		QUY160-100Y	IM BUS WIRE	R5109		QRE141J-681Y	RESISTOR 680Ω,1/4W
R3028		NRSA63J-102X	MG RESISTOR 1kΩ,1/16W	R5110		NRSA02J-224X	MG RESISTOR 220kΩ,1/10W
R3031		NRSA02J-102X	MG RESISTOR,VP690U/U(C) 1kΩ,1/10W	R5111		NRSA02J-821X	MG RESISTOR 820Ω,1/10W
R3056		NRSA02J-102X	MG RESISTOR 1kΩ,1/10W	R5112		NRSA02J-221X	MG RESISTOR 220Ω,1/10W
R3057		NRSA02J-102X	MG RESISTOR 1kΩ,1/10W	R5301		NRSA02J-472X	MG RESISTOR 4.7kΩ,1/10W
R3060		NRSA02J-0R0X	MG RESISTOR 0Ω,1/10W	R5302		NRSA02J-152X	MG RESISTOR 1.5kΩ,1/10W
R3090		NRSA02J-102X	MG RESISTOR 1kΩ,1/10W	R5303		NRSA02J-152X	MG RESISTOR 1.5kΩ,1/10W
R3114		QRE141J-0R0Y	RESISTOR 0Ω,1/4W	R5304		NRSA02J-471X	MG RESISTOR 470Ω,1/10W
R3116		NRSA02J-103X	MG RESISTOR 10kΩ,1/10W	R5305		NRSA02J-102X	MG RESISTOR 1kΩ,1/10W
R3117		NRSA02J-103X	MG RESISTOR 10kΩ,1/10W	R5306		NRSA02J-471X	MG RESISTOR 470Ω,1/10W
R3201		NRSA02J-332X	MG RESISTOR 3.3kΩ,1/10W	R5308		NRSA02J-471X	MG RESISTOR 470Ω,1/10W
R3206		NRSA02J-103X	MG RESISTOR 10kΩ,1/10W	R5309		NRSA02J-103X	MG RESISTOR 10kΩ,1/10W
R3207		NRSA02J-103X	MG RESISTOR 10kΩ,1/10W	R5310		NRSA02J-471X	MG RESISTOR 470Ω,1/10W
R3208		NRSA02J-103X	MG RESISTOR 10kΩ,1/10W	R5311		NRSA02J-473X	MG RESISTOR 47kΩ,1/10W
R3209		QRE141J-181Y	RESISTOR 180Ω,1/4W	R5312		NRVA02D-332X	CMF RESISTOR 3.3kΩ,1/10W
R3211		NRSA02J-183X	MG RESISTOR 18kΩ,1/10W	R5313		NRVA02D-362X	CMF RESISTOR 3.6kΩ,1/10W
R3212		NRSA02J-181X	MG RESISTOR 180Ω,1/10W	R5314		NRSA02J-332X	MG RESISTOR 3.3kΩ,1/10W
R3213		QRE141J-273Y	RESISTOR 27kΩ,1/4W	R5316		NRVA02D-822X	CMF RESISTOR 8.2kΩ,1/10W
R3214		NRSA02J-181X	MG RESISTOR 180Ω,1/10W	R5332		QRE141J-222Y	RESISTOR 2.2kΩ,1/4W
R3215		NRSA02J-273X	MG RESISTOR 27kΩ,1/10W	R6020		NRSA02J-102X	MG RESISTOR 1kΩ,1/10W
R3216		NRSA02J-474X	MG RESISTOR 470kΩ,1/10W	R6021		NRSA02J-102X	MG RESISTOR 1kΩ,1/10W
R3217		NRSA02J-334X	MG RESISTOR 330kΩ,1/10W	R6030		NRSA02J-332X	MG RESISTOR 3.3kΩ,1/10W
R3218		NRSA02J-562X	MG RESISTOR 5.6kΩ,1/10W	R6031		QUY153-050Y	IM BUS WIRE
R3219		QRE141J-103Y	RESISTOR 10kΩ,1/4W	R6050		QUY160-100Y	IM BUS WIRE
R3220		NRSA02J-562X	MG RESISTOR 5.6kΩ,1/10W	R6054		NRSA02J-102X	MG RESISTOR 1kΩ,1/10W
R3222		NRSA02J-471X	MG RESISTOR 470Ω,1/10W	R6502		NRSA02J-332X	MG RESISTOR 3.3kΩ,1/10W
R3223		NRSA63J-105X	MG RESISTOR 1MΩ,1/16W	R7001		QRE141J-331Y	RESISTOR 330Ω,1/4W
R3224		NRSA63J-101X	MG RESISTOR 100Ω,1/16W	R7002		NRSA02J-331X	MG RESISTOR 330Ω,1/10W
R3226		NRSA02J-103X	MG RESISTOR 10kΩ,1/10W	R7003		NRSA02J-331X	MG RESISTOR 330Ω,1/10W
R3227		NRSA02J-103X	MG RESISTOR 10kΩ,1/10W	R7004		NRSA02J-331X	MG RESISTOR 330Ω,1/10W
R3236		NRSA02J-103X	MG RESISTOR,VP790U/U(C) 10kΩ,1/10W	R7005		NRSA63J-331X	MG RESISTOR 330Ω,1/16W
R3237		NRSA02J-472X	MG RESISTOR 4.7kΩ,1/10W	R7006		NRSA02J-331X	MG RESISTOR 330Ω,1/10W
R3238		NRSA02J-472X	MG RESISTOR 4.7kΩ,1/10W	R7007		NRSA63J-331X	MG RESISTOR 330Ω,1/16W
R3240		QRE141J-103Y	RESISTOR,VP790U/U(C) 10kΩ,1/4W	R7008		NRSA02J-331X	MG RESISTOR,VP790U/U(C) 330Ω,1/10W
R3241		QRE141J-103Y	RESISTOR,VP790U/U(C) 10kΩ,1/4W	R7015		QUY153-050Y	IM BUS WIRE
R3242		NRSA02J-0R0X	MG RESISTOR 0Ω,1/10W	R7020		NRSA02J-103X	MG RESISTOR 10kΩ,1/10W
R3243		NRSA02J-681X	MG RESISTOR 680Ω,1/10W	R7021		NRSA02J-122X	MG RESISTOR 1.2kΩ,1/10W
R3244		NRSA02J-331X	MG RESISTOR 330Ω,1/10W	R7022		NRSA02J-182X	MG RESISTOR 1.8kΩ,1/10W
R3245		NRSA02J-682X	MG RESISTOR 6.8kΩ,1/10W	R7023		NRSA02J-222X	MG RESISTOR 2.2kΩ,1/10W
R4001		QRE141J-222Y	RESISTOR 2.2kΩ,1/4W	R7024		NRSA02J-272X	MG RESISTOR 2.7kΩ,1/10W
R4002		QRE141J-562Y	RESISTOR 5.6kΩ,1/4W	R7025		NRSA02J-472X	MG RESISTOR 4.7kΩ,1/10W
R4003		NRSA02J-222X	MG RESISTOR 2.2kΩ,1/10W	R7030		NRSA02J-103X	MG RESISTOR 10kΩ,1/10W
R4004		QUY160-100Y	IM BUS WIRE	R7031		NRSA02J-122X	MG RESISTOR 1.2kΩ,1/10W
R4006		NRSA02J-472X	MG RESISTOR 4.7kΩ,1/10W	R7032		NRSA02J-182X	MG RESISTOR 1.8kΩ,1/10W
R4010		NRSA02J-471X	MG RESISTOR 470Ω,1/10W	R7033		NRSA02J-222X	MG RESISTOR 2.2kΩ,1/10W
R4011		NRSA02J-471X	MG RESISTOR 470Ω,1/10W	R7034		NRSA02J-0R0X	MG RESISTOR,VP690U/U(C) 0Ω,1/10W
R4012		NRSA02J-153X	MG RESISTOR 15kΩ,1/10W			NRSA02J-272X	MG RESISTOR,VP790U/U(C) 2.7kΩ,1/10W
R4013		NRSA02J-102X	MG RESISTOR 1kΩ,1/10W	R7035		NRSA02J-472X	MG RESISTOR,VP790U/U(C) 4.7kΩ,1/10W
R4018		NRSA02J-103X	MG RESISTOR 10kΩ,1/10W	R7036		NRSA02J-682X	MG RESISTOR,VP790U/U(C) 6.8kΩ,1/10W

#	△ REF No.	PART No.	PART NAME, DESCRIPTION	#	△ REF No.	PART No.	PART NAME, DESCRIPTION
R7037		NRSA02J-563X	MG RESISTOR 56kΩ,1/10W	C109		NCB31AK-224X	CAPACITOR 0.22μF,10V
R7171		NRSA02J-0R0X	MG RESISTOR 0Ω,1/10W	C110		NDC31HJ-331X	CAPACITOR 330pF,50V
R7172		NRSA02J-0R0X	MG RESISTOR 0Ω,1/10W	C201		QERF0JM-476	E CAPACITOR 47μF,6.3V
R7202		QRE141J-471Y	RESISTOR,VP790U/U(C) 470Ω,1/4W	C202		NCB21EK-223X	CAPACITOR 0.022μF,25V
R7203		NRSA02J-222X	MG RESISTOR 2.2kΩ,1/10W	C203		QERF1HM-105	E CAPACITOR 1μF,50V
R7204		QRE123J-100X	RESISTOR,VP790U/U(C) 10Ω,1/2W	C205		NDC21HJ-101X	CAPACITOR 100pF,50V
VR6502		QVP0039-223Z	TRIM RESISTOR,T SEP ADJ	C207		NCF21CZ-105X	CAPACITOR 1μF,16V
B6		NRSA63J-0R0X	MG RESISTOR 0Ω,1/16W	C208		NRSA02J-0R0X	MG RESISTOR 0Ω,1/10W
B23		NRSA63J-0R0X	MG RESISTOR 0Ω,1/16W	C210		NRSA02J-0R0X	MG RESISTOR 0Ω,1/10W
B2201		NRSA02J-0R0X	MG RESISTOR 0Ω,1/10W	C901		QETN0JM-477	E CAPACITOR 470μF,6.3V
B3001		QUY153-050Y	IM BUS WIRE	C904		NCB21EK-223X	CAPACITOR 0.022μF,25V
B5001		QUY160-100Y	IM BUS WIRE	C2001		QEKJ1HM-475	E CAPACITOR 4.7μF,50V
B5002		QUY160-100Y	IM BUS WIRE	C2002		QEKJ1HM-105	E CAPACITOR 1μF,50V
B5301		NRSA02J-0R0X	MG RESISTOR 0Ω,1/10W	C2003		QEKJ0JM-476	E CAPACITOR 47μF,6.3V
B6020		QUY160-075Y	IM BUS WIRE	C2005		QEKJ1HM-475	E CAPACITOR 4.7μF,50V
B7002		NRSA02J-0R0X	MG RESISTOR 0Ω,1/10W	C2006		NCB31EK-123X	CAPACITOR 0.012μF,25V
B7005		NRSA02J-0R0X	MG RESISTOR 0Ω,1/10W	C2007		QEKJ1CM-226	E CAPACITOR 22μF,16V
B7006		NRSA02J-0R0X	MG RESISTOR 0Ω,1/10W	C2008		QEKJ1HM-475	E CAPACITOR 4.7μF,50V
B7009		NRSA02J-0R0X	MG RESISTOR 0Ω,1/10W	C2009		NCB31HK-102X	CAPACITOR 0.001μF,50V
C1		NCF31AZ-105X	CAPACITOR 1μF,10V	C2010		NCB31HK-222X	CAPACITOR 0.0022μF,50V
C2		NCF31AZ-105X	CAPACITOR 1μF,10V	C2011		QEKJ1HM-475	E CAPACITOR 4.7μF,50V
C3		NCF31AZ-105X	CAPACITOR 1μF,10V	C2012		QEKJ1HM-475	E CAPACITOR 4.7μF,50V
C4		NCF31AZ-105X	CAPACITOR 1μF,10V	C2051		QCBB1HK-331	CAPACITOR 330pF,50V
C5		QEKJ1CM-476	E CAPACITOR 47μF,16V	C2052		QFN31HJ-823	F CAPACITOR 0.082μF,50V
C6		NCB11EK-104X	CAPACITOR 0.1μF,25V	C2053		NCB21HK-472X	CAPACITOR 0.0047μF,50V
C7		NCB21HK-471X	CAPACITOR 470pF,50V	C2054		NCB21EK-223X	CAPACITOR 0.022μF,25V
C8		NCB31CK-104X	CAPACITOR 0.1μF,16V	C2055		QEKJ1EM-106	E CAPACITOR 10μF,25V
C9		NCB31EK-103X	CAPACITOR 0.01μF,25V	C2201		QEKJ1EM-106	E CAPACITOR 10μF,25V
C10		NDC31HJ-151X	CAPACITOR 150pF,50V	C2202		QEKJ1EM-475	E CAPACITOR,VP690U/U(C) 4.7μF,25V
C11		NCB31CK-104X	CAPACITOR 0.1μF,16V			QEKJ1HM-475	E CAPACITOR,VP790U/U(C) 4.7μF,50V
C12		NDC31HJ-330X	CAPACITOR 33pF,50V	C2203		QEKJ1HM-475	E CAPACITOR 4.7μF,50V
C14		NCB31CK-104X	CAPACITOR 0.1μF,16V	C2204		QEKJ0JM-336	E CAPACITOR 33μF,6.3V
C15		NCB31EK-103X	CAPACITOR 0.01μF,25V	C2205		QEKJ1EM-106	E CAPACITOR 10μF,25V
C16		NCB31CK-104X	CAPACITOR 0.1μF,16V	C2206		QEKJ1EM-106	E CAPACITOR 10μF,25V
C17		QEKJ1HM-335	E CAPACITOR 3.3μF,50V	C2207		NCB31EK-153X	CAPACITOR 0.015μF,25V
C18		QEKJ1HM-105	E CAPACITOR,VP790U/U(C) 1μF,50V	C2208		NCB31EK-153X	CAPACITOR 0.015μF,25V
C19		QEKJ1HM-225	E CAPACITOR 2.2μF,50V	C2209		QEKJ1EM-106	E CAPACITOR 10μF,25V
C20		QEKJ1HM-105	E CAPACITOR 1μF,50V	C2210		QEKJ1EM-106	E CAPACITOR 10μF,25V
C21		NCB31CK-104X	CAPACITOR 0.1μF,16V	C2211		QEKJ0JM-336	E CAPACITOR 33μF,6.3V
C22		QEKJ0JM-476	E CAPACITOR 47μF,6.3V	C2212		QEKJ0JM-476	E CAPACITOR 47μF,6.3V
C23		NCB31CK-223X	CAPACITOR 0.022μF,16V	C2214		QEKJ1EM-106	E CAPACITOR 10μF,25V
C24		QCFB1HZ-104	CAPACITOR 0.1μF,50V	C2215		QEKJ1EM-106	E CAPACITOR 10μF,25V
C25		NDC31HJ-5R0X	CAPACITOR 5pF,50V	C2216		QEKJ1CM-476	E CAPACITOR 47μF,16V
C26		NCB31CK-223X	CAPACITOR 0.022μF,16V	C2218		QEKJ1EM-106	E CAPACITOR 10μF,25V
C27		NCB31EK-223X	CAPACITOR 0.022μF,25V	C2219		QEKJ1EM-106	E CAPACITOR 10μF,25V
C28		QEKJ1HM-335	E CAPACITOR 3.3μF,50V	C2220		QEKJ1EM-106	E CAPACITOR 10μF,25V
C29		NCB31EK-472X	CAPACITOR 0.0047μF,25V	C2221		NCB21EK-223X	CAPACITOR 0.022μF,25V
C30		QEKJ1HM-474	E CAPACITOR 0.47μF,50V	C2222		NCB31EK-103X	CAPACITOR 0.01μF,25V
C31		QEKJ0JM-476	E CAPACITOR 47μF,6.3V	C2251		NCB21HK-103X	CAPACITOR 0.01μF,50V
C32		QDYB1CM-103Y	CAPACITOR 0.01μF,16V	C2252		NCB31EK-103X	CAPACITOR 0.01μF,25V
C33		QEKJ1HM-225	E CAPACITOR 2.2μF,50V	C2253		NCB31EK-103X	CAPACITOR 0.01μF,25V
C34		NCB21EK-104X	CAPACITOR 0.1μF,25V	C2254		QEKJ0JM-476	E CAPACITOR 47μF,6.3V
C35		NCB31CK-333X	CAPACITOR 0.033μF,16V	C2255		NCB31EK-103X	CAPACITOR 0.01μF,25V
C36		QEKJ1EM-475	E CAPACITOR 4.7μF,25V	C2256		NCB21HK-103X	CAPACITOR 0.01μF,50V
C37		QEKJ1EM-475	E CAPACITOR 4.7μF,25V	C2257		NCB31EK-103X	CAPACITOR 0.01μF,25V
C38		QEKJ0JM-476	E CAPACITOR 47μF,6.3V	C2259		QEKJ1HM-334	E CAPACITOR 0.33μF,50V
C39		NCB31CK-223X	CAPACITOR 0.022μF,16V	C2260		NRSA63J-684X	MG RESISTOR 680kΩ,1/16W
C40		QEKJ1CM-106	E CAPACITOR 10μF,16V	C3001		NCB21EK-223X	CAPACITOR 0.022μF,25V
C51		QERF1HM-105	E CAPACITOR 1μF,50V	C3003		QEKJ1CM-106	E CAPACITOR 10μF,16V
C54		NRSA63J-0R0X	MG RESISTOR 0Ω,1/16W	C3004		NDC31HJ-101X	CAPACITOR 100pF,50V
C62		NCB31CK-104X	CAPACITOR 0.1μF,16V	C3008		NCB21HK-103X	CAPACITOR 0.01μF,50V

#	△ REF No.	PART No.	PART NAME, DESCRIPTION	#	△ REF No.	PART No.	PART NAME, DESCRIPTION
		C3011	QEKJ1HM-475 E CAPACITOR 4.7μF,50V			C7013	NCB21HK-103X CAPACITOR 0.01μF,50V
		C3016	NDC21HJ-180X CAPACITOR 18pF,50V			C7014	NCB21HK-103X CAPACITOR 0.01μF,50V
		C3017	NDC21HJ-270X CAPACITOR 27pF,50V			C7206	QETF0JM-227 E CAPACITOR,VP790U/U(C) 220μF,6.3V
		C3019	NRSA02J-0R0X MG RESISTOR 0Ω,1/10W			L1	QQL29BJ-100Z COIL 10μH
		C3023	NCF21CZ-105X CAPACITOR 1μF,16V			L2	QUY153-050Y IM BUS WIRE
		C3035	NCB31EK-223X CAPACITOR 0.022μF,25V			L3	QQL29BJ-100Z COIL 10μH
		C3036	QERF0JM-107 E CAPACITOR 100μF,6.3V			L4	QQL29BJ-100Z COIL 10μH
		C3041	NDC21HJ-101X CAPACITOR 100pF,50V			L5	QQL29BJ-100Z COIL 10μH
		C3042	NDC21HJ-101X CAPACITOR 100pF,50V			L11	QQL01BJ-120Z COIL 12μH
		C3049	NCB21HK-103X CAPACITOR 0.01μF,50V			L24	QUY153-050Y IM BUS WIRE
		C3050	NCB21HK-103X CAPACITOR 0.01μF,50V			L28	QQL231J-150Y COIL 15μH
		C3052	NCB21HK-103X CAPACITOR 0.01μF,50V			L201	QUY153-050Y IM BUS WIRE
		C3053	QDYB1CM-103Y CAPACITOR 0.01μF,16V			L203	QQL231J-4R7Y COIL 4.7μH
		C4001	NCB21EK-104X CAPACITOR 0.1μF,25V			L901	QQL29BJ-100Z COIL 10μH
		C4002	QERF1HM-105 E CAPACITOR 1μF,50V			L2001	QUY153-050Y IM BUS WIRE
		C4004	QERF1AM-336 E CAPACITOR 33μF,10V			L2201	QUY153-050Y IM BUS WIRE
		C4006	NCB21EK-563X CAPACITOR 0.056μF,25V			L2251	QQL29BJ-100Z COIL 10μH
		C4007	NCB21HK-103X CAPACITOR 0.01μF,50V			L5201	PELN1184 COIL 33μH
		C4009	NCB21HK-102X CAPACITOR 0.001μF,50V			L5202	PELN1184 COIL 33μH
		C4010	QERF0JM-476 E CAPACITOR 47μF,6.3V			L6001	QUY153-050Y IM BUS WIRE
		C4011	NCB21CK-224X CAPACITOR 0.22μF,16V			L6003	QUY153-050Y IM BUS WIRE
		C4014	NDC21HJ-101X CAPACITOR 100pF,50V			L6032	QUY153-050Y IM BUS WIRE
		C4015	NDC21HJ-101X CAPACITOR 100pF,50V			L6050	QUY153-050Y IM BUS WIRE
		C4019	NCB21HK-103X CAPACITOR 0.01μF,50V			L6501	QUY153-050Y IM BUS WIRE
		C4022	NDC21HJ-101X CAPACITOR 100pF,50V			L7201	QQL29BJ-101Z COIL,VP790U/U(C) 100μH
△		C5001	QFZ9073-683 F CAPACITOR 0.068μF,250V			X2	QAX0575-001 CRYSTAL RESONATOR
△		C5004	QCZ9094-472 CAPACITOR 0.0047μF,125V			X3001	QAX0526-001Z CRYSTAL RESONATOR
		C5006	QETM2DM-476 E CAPACITOR 47μF,200V			S3001	QSW0602-004 PUSH SWITCH,REC.SAFETY
		C5101	QCZ0212-472 CAPACITOR 0.0047μF,1kV			S7001	QSW0456-002Z TACT SWITCH,POWER
		C5102	QCZ0339-101Z CAPACITOR 100pF,1kV			S7002	QSW0456-002Z TACT SWITCH,REC LINK
		C5104	QEKJ1HM-105 E CAPACITOR 1μF,50V			S7004	QSW0456-002Z TACT SWITCH,CH-
		C5105	QFN31HJ-183 F CAPACITOR 0.018μF,50V			S7006	QSW0456-002Z TACT SWITCH,CH+
		C5106	QCBB1HJ-271 CAPACITOR 270pF,50V			S7008	QSW0456-002Z TACT SWITCH,REVIEW,VP690U/U(C)
		C5107	QFV11HJ-104 F CAPACITOR 0.1μF,50V				QSW0456-002Z TACT SWITCH,PLAY,VP790U/U(C)
		C5202	QETN1CM-108 E CAPACITOR 1000μF,16V			S7010	QSW0456-002Z TACT SWITCH,SP/EP,VP690U/U(C)
		C5203	QETN1AM-108 E CAPACITOR 1000μF,10V				QSW0456-002Z TACT SWITCH,E.PROG.,VP790U/U(C)
		C5204	QETJ2AM-475 E CAPACITOR 4.7μF,100V			S7011	QSW0456-002Z TACT SWITCH,REC
		C5206	QEKJ1CM-476 E CAPACITOR 47μF,16V			S7013	QSW0456-002Z TACT SWITCH,PAUSE
		C5207	QEKJ1CM-107 E CAPACITOR 100μF,16V			S7015	QSW0456-002Z TACT SWITCH,STOP/EJECT
		C5301	QEKJ1CM-107 E CAPACITOR 100μF,16V			S7016	QSW0456-002Z TACT SWITCH,DISPLAY
		C5302	QETN1HM-106 E CAPACITOR 10μF,50V			K2001	NRSA63J-0R0X MG RESISTOR 0Ω,1/16W
		C5303	QEKJ1CM-107 E CAPACITOR 100μF,16V			K2002	NRSA63J-0R0X MG RESISTOR 0Ω,1/16W
		C5304	QFLC1HJ-102Z F CAPACITOR 0.001μF,50V			K2003	NRSA63J-0R0X MG RESISTOR 0Ω,1/16W
		C5305	QFV91HJ-154 F CAPACITOR 0.15μF,50V			K2004	NRSA63J-0R0X MG RESISTOR 0Ω,1/16W
		C6029	NRSA02J-0R0X MG RESISTOR 0Ω,1/10W			K5101	QQR0678-001Z FERRITE BEAD
		C6501	NCB21EK-104X CAPACITOR 0.1μF,25V			K5102	QUY153-050Y IM BUS WIRE
		C6502	QEK1CM-106 E CAPACITOR,VP690U/U(C) 10μF,16V			PC3001	GP3S123 IC(PHOTO SENSOR)
			QEK1CM-106 E CAPACITOR,VP790U/U(C) 10μF,50V			PC3002	GP3S123 IC(PHOTO SENSOR)
		C6503	QEKJ1HM-105 E CAPACITOR 1μF,50V	△		PC5101	PC817X IC(PHOTO COUPLER)
		C6504	QCFB1HZ-104 CAPACITOR 0.1μF,50V			T2051	PELN0832 OSC TRANSFORMER
		C6506	QEKJ1HM-105 E CAPACITOR 1μF,50V	△		T5001	QQS0083-001 SW TRANSFORMER
		C6508	NCB21EK-223X CAPACITOR 0.022μF,25V			ET1	LP30859-001A EARTH PLATE
		C6509	NCB21EK-104X CAPACITOR 0.1μF,25V			J1	QNN0380-002 PIN JACK,A/V IN,VP790U/U(C)
		C6512	NCB21EK-223X CAPACITOR 0.022μF,25V			J2	QNN0286-002 PIN JACK,A/V OUT
		C6513	QEKJ1HM-225 E CAPACITOR 2.2μF,50V			J7101	QNN0381-001 PIN JACK,FRONT IN
		C6514	NCB21EK-223X CAPACITOR 0.022μF,25V			FC5001	QNG0006-001Z FUSE CLIP,F5001
		C6515	QEK1HM-335 E CAPACITOR 3.3μF,50V			FC5002	QNG0006-001Z FUSE CLIP,F5001
		C6516	QEKJ1EM-475 E CAPACITOR,VP690U/U(C) 4.7μF,25V			FW3001	QUM023-15A4A4 PARA RIBON WIRE,VP790U/U(C)
			QEKJ1HM-475 E CAPACITOR,VP790U/U(C) 4.7μF,50V	△		LF5002	QQR0532-001 LINE FILTER
		C6517	NCB21CK-224X CAPACITOR 0.22μF,16V			SG5001	QUY160-150Y IM BUS WIRE
		C7011	QEKJ0JM-227 E CAPACITOR 220μF,6.3V	△		VA5001	QAF0023-431Z VARISTOR

#	△ REF No.	PART No.	PART NAME, DESCRIPTION
△	TB1	LP20978-001A	TERMINAL BOARD,VP690U/U(C)
△		LP20978-003A	TERMINAL BOARD,VP790U/U(C)
△	CD1	QMPD340-165-K	POWER CORD
	SD1	LP20990-001A	SHEILD PLATE
	DI7001	LTG-Y2K12M-01J	LE DIODE
	TU6001	QAU0207-001	TUNER
	CN1	QGF1028C1-11	FPC CONNECTOR,(1-11)U.DRUM
	CN2001	QGF1207C1-07	FPC CONNECTOR,(1-7)A/C HEAD
	CN2002	QGB2532J1-02	CONNECTOR,(1-2)FE HEAD
	CN3001	QGB2015M2-08	CONNECTOR,(1-8)CAPSTAN MOTOR
	CN3002	QGF1207C1-05	FPC CONNECTOR,(1-5)DRUM MDA
	CN3003	QGB2532J1-02	CONNECTOR,(1-2)LOADING MOTOR
	CN3004	QGB2534J2-04	CONNECTOR,(1-4)ROTARY ENCODER
	CN7001	QGF1207C1-09	FPC CONNECTOR,(1-9)FRONT
△	CP4001	ICP-N25	CIRCUIT PROTECTOR
△	CP5302	ICP-N25	CIRCUIT PROTECTOR
△	F5001	QMF51N2-1R25J1	FUSE T1.25A,AC250V

A/C HEAD BOARD ASSEMBLY <12>

PW1	LP10122-01A1	A/C HEAD BOARD ASSY
CN1	QGF1208F1-07	FPC CONNECTOR

MINI FRONT BOARD ASSEMBLY(HR-VP690U/U(C))<28>

PW6	LPA10130-01A6	MINI FRONT BOARD ASSY
R7043	NRSA02J-272X	MG RESISTOR 2.7kΩ,1/10W
R7044	NRSA02J-472X	MG RESISTOR 4.7kΩ,1/10W
R7045	NRSA02J-682X	MG RESISTOR 6.8kΩ,1/10W
S7021	QSW0456-002Z	TACT SWITCH,REW
S7022	QSW0456-002Z	TACT SWITCH,FF
S7023	QSW0456-002Z	TACT SWITCH,PLAY
CN7002	QGF1208C1-09	FPC CONNECTOR,(1-9)MAIN

ADV.JOG BOARD ASSEMBLY(HR-VP790U/U(C))<38>

PW1	LPA20013-02B	ADV.JOG BOARD ASSY
UN7002	QSW0905-001	ROTARY ENCODER
CN7004	QGF1209F1-09	FPC CONNECTOR,(1-9)MAIN

#	△ REF No.	PART No.	PART NAME, DESCRIPTION

LOADING MOTOR BOARD ASSEMBLY <55>

PW2	LP10122-01A2	LOADING MOTOR BOARD ASSY
CN1	QGB2533K1-02	CONNECTOR

C.BOX/R.PAUSE BOARD ASSEMBLY(HR-VP790U/U(C))<99>

PW2	LPA10130-01A2	C.BOX/R.PAUSE BOARD ASSY
R7155	NRSA02J-101X	MG RESISTOR 100Ω,1/10W
R7156	NRSA02J-101X	MG RESISTOR 100Ω,1/10W
J7104	PU60612	MINI JACK
J7105	PU60612	MINI JACK